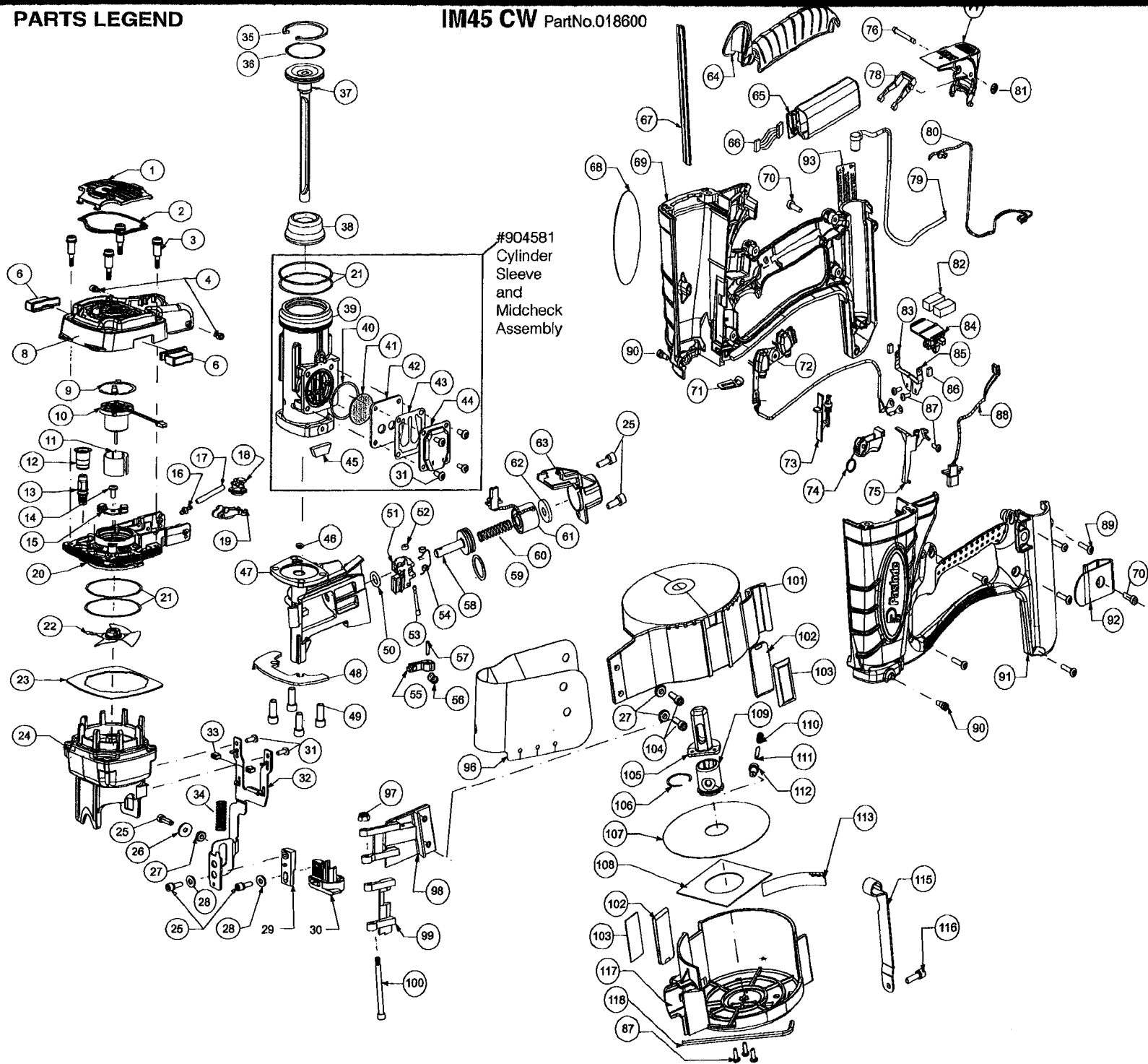


PARTS LEGEND

IM45 CW PartNo.018600



## TOOL IM45-CW

plan	code	description	plan	code	description	plan	code	description
000	904530	PISTON ALONE! IM45CW	043	900664	VALVE,REED (IM250A-F16)	084	904527	INTERFACE BLOCK IM45CW
000	904581	SLEEVE ASSEMBLY IM45CW	044	900668	COVER,MUFFLER (IM250A-F16)	085	903004	LEFT CONTACT NM(IM250-45)
001	904555	GRILLE IM45CW	045	900609	MUFFLER (IM250A-F16)	086	904572	PAD/TERMINAL IM45CW
002	900648	FILTER (IM250A-F16)	046	904523	O-RING SEAL IM45CW	087	404702	SCREW,PZD 6-32x3/8"
003	901064	SCREW,SHC. 8-32x1-3/8"	047	904501	NOSE IM45CW	088	904561	WIRE HARNESS IM45CW
004	904557	SCREW-CAP IM45CW	048	904539	WEAR GUARD/LOWER IM45CW	089	901066	SUB# 900453 SCREW-PLASTIT
006	904597	WEAR PAD UPPER IM45CW	049	904576	SCREW/SHC IM45CW	090	900792	SHOULDER SCREW (IM250A)
008	904551	TOP CAP IM45CW	050	402031	O-RING,#2-109	091	904508	HANDLE/LEFT IM45CW
009	901119	RETAINING RING NEW MODEL	051	904535	FEED CLAW IM45CW	092	904541	BELT HOOK IM45CW
010	901112	SUB# 901382 MOTOR ASSEMBL	052	402486	RING,RETAINING	093	900508	SUB# 013671 LABEL,WARNING
011	401356	SLEEVE,FAN MOT. IMP-P700	053	402488	PIN,PIVOT FEED CLAW	096	904519	DEBRIS SHIELD IM45CW
012	900785	INSULATOR,SPARK PLUG(IM25	054	402041	SPRING,TORSION FEED CLAW	097	092037	NUT,LOCK 10-32" ISN-105-2
013	900714	SPARK PLUG ASSY.(IM250A)	055	404012	CLAW,HOLDBACK IM45CW	098	404014	DOOR IM45CW
014	900596	SCREW,TORX SEMS 8-32x7/16	056	097748	SPRING,VALVE PIN TRIGGER	099	018710	ENS. GUIDE CLOUS IM45CW
015	900739	CIRCUIT BOARD,CYL. HEAD	057	404361	ROLL PIN 1/8x1/2"	100	404106	SCREW SHC #10-32x2"
016	904517	FUEL BARB IM45CW	058	904533	FEED CLAW IM45CW	101	904513	COVER/MAGAZINE IM45CW
017	904546	FUEL TUBE IM45CW	059	904525	O-RING IM45CW	102	404092	WEAR SHIELD, MAGAZINE
018	902406	FUEL BLOCK IM45CW	060	904524	FEED PISTON SPRING IM45CW	103	904518	WEAR-PAD/MAGAZINE IM45CW
019	904521	PIVOT ARM IM45CW	061	904563	MAGNET ASSY/TERM IM45CW	104	004502	SCREW,SHC. 10-32x5/8"
020	904504	CYLINDER HEAD IM45CW	062	904540	BUMPER/CLAW-PISTON IM45CW	105	904553	POST/CENTER-INNER IM45CW
021	900612	RING,SEAL (IM250A-F16)	063	904534	MAGNET COVER IM45CW	106	403580	RING,RETAINING
022	900709	FAN ASSY. (IM250A-F16)	064	901044	SOFT GRIP (IM200-F18)	107	403544	PLATE/NAIL IM45CW
023	900700	DAM,AIR (IM250A-F16)	065	904510	SPARK UNIT IM45CW	108	403545	DAMPNER/PLATE IM45CW
024	904570	COMB-CHAMBER ASS. IM45CW	066	900662	WIRE ASSY,E.S.U. (IM250A)	109	904554	POST/CENTER-OUT IM45CW
025	900592	10-32X1/2 SCREW+ROND.	067	900620	CHANNEL,FRONT (IM250A-F16)	110	500753	SPRING POST IM45CW
026	402629	WASHER,HARDENED #10	068	018712	ENS.ETIQ. CARTER IM45CW	111	501009	ROLL PIN,TRIGGER LEVER
027	404002	GROM.DEBRIS SHIELD IM45CW	069	904507	HANDLE/RIGHT IM45CW	112	904559	POST BUTTON IM45CW
028	006057	SUB# 402736 WASHER,FLAT 1	070	004618	SUB# 900593 SCREW,SHC. 10	113	018711	ENS.ETIQ. IDENTIF. IM45CW
029	904526	WCE ADJ/LINK IM45CW	070	900593	10-24X5/8 SEM SCREW (CT)	114	900496	LABEL,WARNING (IMP200-SR)
030	904506	WCE IM45CW	071	904558	CONNECTOR BRACKET IM45CW	115	904515	BRACKET/MAGAZINE IM45CW
031	405140	SCREW,TORX 8-32x3/8"	072	904511	MOLDED CIRCUIT IM45CW	116	900593	10-24X5/8 SEM SCREW (CT)
032	904509	UPPER YOKE IM45CW	073	900726	SWITCH SIDE ASSY. (IM250A)	117	904514	MAGAZINE IM45CW
033	900707	BUMPER,PROBE (IM250A-F16)	074	901082	TRIGGER ASSEMBLY(IM200-F1	118	401331	KEY,LONG ARM HEX 5/32"
034	904594	SPRING IM45CW	075	904532	WIRE CLIP IM45CW	0	0	0
035	403099	RING,RETAINING PISTON	076	902230	FUEL DOOR PIN IM45CW	0	0	0
036	403098	RING,PISTON (IM200-SR)	077	904550	FUEL DOOR IM45CW	0	0	0
037	904580	PISTON ASSEMBLY IM45CW	078	904544	DOSING LEVER IM45CW	0	0	0
038	900680	BUMPER (IM250A-F16)	079	904567	SPARK-PLUG ASSY IM45CW	0	0	0
039	904503	SLEEVE IM45CW	080	904562	HARNESS/FAN MOTOR IM45CW	0	0	0
040	900616	O-RING (IM250A-F16)	081	902235	RETAINING RING IM45CW	0	0	0
041	901089	DISK PREFILTER	082	904571	BATTERY PAD IM45CW	0	0	0
042	900665	PLATE,REED (IM250A-F16)	083	903003	RIGHT CONTACT NM(IM250-45	0	0	0